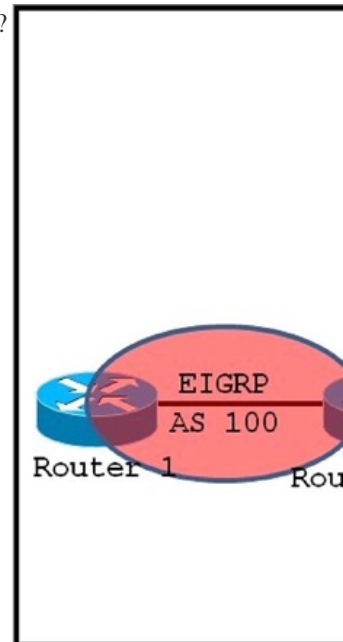


## [PDF&VCE Lead2pass Latest 200-310 Free Dumps Guarantee 200-310 Certification Exam 100% Success (1-25)]

2016 September Cisco Official New Released **200-310** Dumps in Lead2pass.com! 100% Free Download! 100% Pass Guaranteed! 200-310 easy pass guide: Preparing for Cisco 200-310 exam is really a tough task to accomplish. However, Lead2pass delivers the most comprehensive braindumps, covering each and every aspect of 200-310 exam curriculum. Following questions and answers are all new published by Cisco Official Exam Center: <http://www.lead2pass.com/200-310.html> QUESTION 1 Which three pieces of information should be documented for each step in a design implementation plan? (Choose three.) A. step description B. design document references C. easy guidelines in case of failure D. estimated implementation time E. simple implementation guidelines F. estimated rollback time in case of failure Answer: ABD QUESTION 2 A company is implementing an Identity Management solution with these characteristics: - existing AAA Server - Cisco Catalyst switches - minimal added investments Which Cisco Trust and Identity Management solution would you recommend? A. NAC Appliance B. Cisco IBSN C. CSM D. Cisco Security MARS Answer: B QUESTION 3 You want to gather as much detail as possible during a network audit with a minimal impact on the network devices themselves. Which tool would you use to include data time stamping across a large number of interfaces while being customized according to each interface? A. RMON B. SNMPv3 C. NetFlow D. Cisco Discovery Protocol Answer: C QUESTION 4 Refer to the exhibit. On which router should you configure redistribution?



A. Router 1 B. Router 2 C. Router 3 D. Router 4 E. Router 5 Answer: B QUESTION 5 Which three Cisco technologies can you use to detect and mitigate threats? (Choose three.) A. NetFlow B. FWSM C. ISE D. VRRP E. sFLOW Answer: ABC QUESTION 6 Which technology allows remote networks to be connected via site-to-site tunnels? A. IPsec VPN B. AnyConnect VPN C. SSL VPN D. EasyConnect VPN Answer: A QUESTION 7 Which RFC defines the IPv6 standard? A. RFC 1918 B. RFC 2338 C. RFC 2460 D. RFC 2740 Answer: C QUESTION 8 Which first-hop redundancy protocol dynamically distributes client traffic between multiple routers? A. HSRP B. VRRP C. GLBP D. IGRP Answer: C QUESTION 9 Which three options are characteristics of data center evolution? (Choose three.) A. consolidation B. virtualization C. automation D. standardization E. optimization F. modulation Answer: ABC QUESTION 10 Which option is a benefit of the modular approach to network design? A. higher availability B. repeatable scalability C. increased security D. improved resiliency Answer: B QUESTION 11 You are designing a network that requires a routing protocol that will use minimal network bandwidth. Which would satisfy this requirement? A. RIPv2 B. RIPng C. OSPF D. ARP E. EGP Answer: C QUESTION 12 Which two devices would you place in your DMZ to ensure enterprise edge security? (Choose two.) A. IPS B. NAC C. ASA D. ACS E. WCS Answer: AC QUESTION 13 Which type of area should you use in an enterprise OSPF deployment if you want to prevent propagation of type 5 LSAs but still allow the redistribution of external routes? A. stub B. totally stubby C. backbone D. NSSA E. virtual link Answer: D QUESTION 14 Which mode is used to exclusively look for unauthorized access points? A. monitor mode B. sniffer mode C. rogue detector mode D. local mode Answer: C QUESTION 15 To provide

Layer 2 connectivity between the primary and remote data centers, given that the two data centers are using Layer 3 routed DCIs, which NX-OS technology can be used to facilitate this requirement? A. VRF B. OTV C. MPLS D. SPT E. vPC Answer: B

QUESTION 16 What is the acceptable amount of one-way network delay for voice and video applications? A. 300 bytes B. 1 sec C. 150 ms D. 500 ms Answer: C

QUESTION 17 At which layer of the network is route summarization recommended? A. data link layer B. core layer C. distribution layer D. access layer Answer: C

QUESTION 18 Which WAN technology is a cost-effective method to deliver 100Mb of bandwidth to multiple branch offices? A. DSL B. DWDM C. ISDN D. Metro Ethernet Answer: D

QUESTION 19 Which Cisco device has the sole function at looking at threat detection and mitigation at the Enterprise edge? A. Cisco IOS router B. Cisco ASA C. Cisco Catalyst FWSM D. Cisco IPS Answer: D

QUESTION 20 If a teleworker is required to access the branch office via a secure IPSEC VPN connection, which technology is recommended to provide the underlying transport? A. ISDN B. Metro Ethernet C. Frame Relay D. ADSL E. ATM Answer: D

QUESTION 21 Which factor would be most influential in choosing multimode fiber optic connections over UTP? A. signal attenuation B. required bandwidth C. required distance D. electromagnetic interference E. cost Answer: C

QUESTION 22 A hierarchical design of the EIGRP domain facilitates which two of the following? (Choose two.) A. route summarization B. faster convergence C. unequal cost load balancing D. redistribution E. virtual links Answer: AB

QUESTION 23 Which three types of WAN topologies can be deployed in the Service Provider Module? (Choose three.) A. ring B. star C. full mesh D. core/edge E. collapsed core F. partial mesh Answer: BCF

QUESTION 24 Which of the following is a component within the Cisco Enterprise Campus module? A. Teleworker B. E-Commerce C. Internet Connectivity D. Building Distribution E. WAN/MAN Site-to-Site VPN Answer: D

QUESTION 25 Which two features are supported by single wireless controller deployments? (Choose two.) A. automatic detection and configuration of LWAPPs B. LWAPP support across multiple floors and buildings C. automatic detection and configuration of RF parameters D. Layer 2 and Layer 3 roaming E. controller redundancy F. mobility groups Answer: AB

Lead2pass provides guarantee of Cisco 200-310 exam because Lead2pass is an authenticated IT certifications site. The 200-310 dump is updated with regular basis and the answers are rechecked of every exam. Good luck in your exam. **200-310** new questions on Google Drive:  
<https://drive.google.com/open?id=0B3Syig5i8gpDRHROM0NDWGhJejA> 2016 Cisco **200-310** exam dumps (All 277Q&As) from Lead2pass: <http://www.lead2pass.com/200-310.html> [100% Exam Pass Guaranteed]